

Operating manual



※ Thank you for selecting our products. please read carefully this instruction to reduce any damages or operation mistakes.

1 Model composition

Model	Output	Sensor	Humidity range	RS485
CNT-2H	Main:1c 250Vac2A	HCPV-220H	0.0%~100.0%Rh	-
CNT-2H-2	Aux:1a 250Vac2A			
CNT-2SH-1	Main:1a 250Vac2A	DS-SH series	0.0%~100.0%Rh	-
CNT-2SHR	Aux:1a 250Vac2A	DS-SH series	0.0%~100.0%Rh	support

2 Safety and Hazard instructions

Safety

Please use this item after installing the duplex safety device in which is applied at dangerous factors such as serious human injury or serious damages of property & important machine because this item is not designed as safety device.

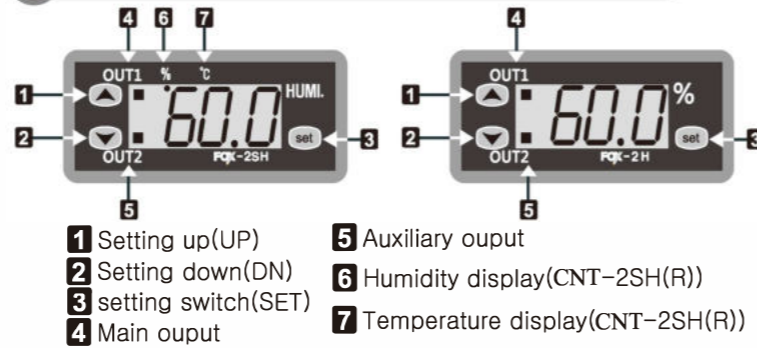
safety instruction and hazard warnings

- Please read the operating manual through completely before putting the device into operation.
- We will not assume any responsibility for damage to assets or persons caused by improper handling or failure to observe the safety instructions or hazard warnings.
- For safety and licensing reason, unauthorized conversion and/or modification of the device is not permitted.
- Do not exceed the maximum permissible current – in case of higher loads, use a contactor of adequate power. Make sure that the supplied voltage matches the values specified for the instrument.
- The device must be adequately protected from water and dust as per the application and must be accessible via the use of appropriate tools.
- The device must not be exposed to extreme temperature, sunlight, strong vibrations or high levels of humidity.
- Operation or installation in not permitted under unfavorable ambient conditions such as wetness or excessive induction loads or solenoid and dust, combustible gases, vapors or solvents, especially high-frequency noise.
- Avoid operation or installation close to high-frequency fields such as welding devices, sewing machines, wireless transmitter, radio systems, SCR controller, etc
- Do not install the sensor cable nearby signal cable, power cable, load cable.
- Please use the shield cable when the sensor cable's lengthen, however do not make it too much longer.
- Please use the sensor cable without any cutting or flaw, blemish.
- The device is not a toy and should be kept away from children.
- Installation work must only be carried out by suitably qualified personnel who are familiar with the hazards involved and with the relevant regulations.
- you shouldn't tinker with anything or the product may not be opened or disassembled unless you know what you're doing. Please ask us about this questioning.

Danger

Attention! Never work on electrical connections when the machine is switched on

3 Part name

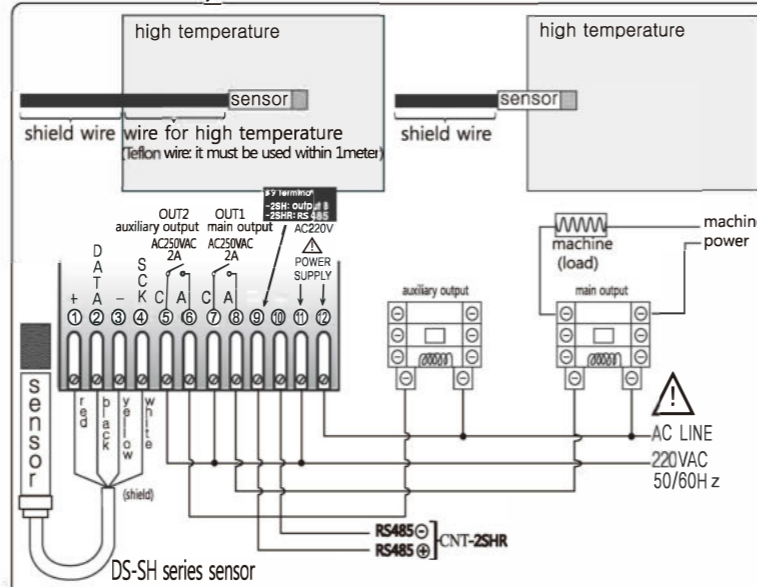


1 Setting up(UP) **5** Auxiliary output
2 Setting down(DN) **6** Humidity display(CNT-2SH(R))
3 setting switch(SET) **7** Temperature display(CNT-2SH(R))
4 Main output

CNT-2SH(R) : humidity display and control + temperature display for the currency status display, there're 3 kinds of mode, as a switch of <UP(increase), DN(decrease)>, you can change the display like "Humidity/Humi&Temp/Temp".
CNT-2H, CNT-2H-2 : humidity display and control

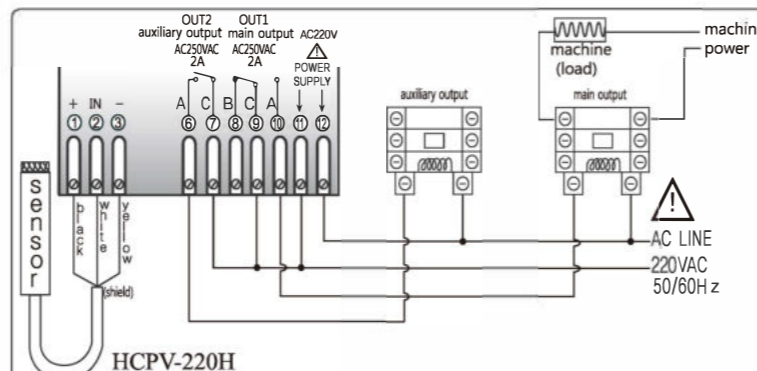
4 Connection

< CNT-2SH-1 /CNT-2SHR >



Ref1. Detailed specifications for the applicable sensor specifications, see the back of the '10. sensor's specifications'.
Caution1. Please make use of the shield wire when lengthening of the sensor wire, and in case of using in the high temperature range of 65℃~80℃, surely use the high temperature using wire(Teflon wiring).
Caution2. Please make the operating machine(load) be driven with using the power relay or magnet outside surely because its output specification of inside relay is less than 250VAC 2A.

< CNT-2H, CNT-2H-2 >



Ref1. Detailed specifications for the applicable sensor specifications, see the back of the '10. sensor's specifications'.
Caution2. Please make the operating machine(load) be driven with using the power relay or magnet outside surely because its output specification of inside relay is less than 250VAC 2A.

5 Setting for programs

